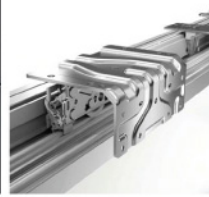




22, Al Jaziri Building, Naif Deira - P.O.Box 183781 - Dubai - UAE
Tel: +9714 2732352 Fax: +9714 2732354 Email: sales@libertyhw.com

www.libertyhw.com



We established 2013, ourselves as a trustworthy company in the construction, engineering, and shipping industries. Liberty is well known in the market for a broad variety of products we deal in, and for our timely service and delivery.

Customer satisfaction has always been the cornerstone of our company's business; we are well known for being a completely customer-focused organization.

Our efforts have always been directed towards providing our valued customers with that "extra" bit of service which in turn will help them in organizing their business affairs more effectively. Our focus has been, and always will be on dealing in goods of the highest quality and complementing this by delivering them with utmost efficiency.

We are a company that has grown over time, but we will always have a fundamental legacy to define us a legacy that ties us to our past and sustains us as we approach the future.

Authorized Dealer for  **Hettich**

Suppliers of



Fast assembly concealed hinge with integrated Silent System



- Concealed hinge with clip on installation and integrated Silent System
- Quality classification under EN 15570, Level 2
- For door thickness of 15 - 32 mm
- Cup diameter 35 mm
- Cup depth 12.8 mm
- Integrated overlay adjustment + 2 mm / - 2 mm
- Integrated depth adjustment + 3 mm / - 2 mm
- Height adjustment at mounting plate
- Hinge arm material: nickel plated steel
- Hinge cup material: nickel plated steel

Single pivot hinge with knuckle



- The Seleкта Pro 2000, Seleкта Pro 2035 and Seleкта 4 hinges can be used with decorative caps for glass doors
- For each hinge a cutaway hole is required for the hinge cup and two holes for the fixing screws
- The glass door is protected by intermediate shims and bushes of transparent plastic ensuring that the hinge is securely mounted on the glass door.
- Glass thickness 5 - 6 mm
- Including 2 fixing screws
- Zinc die cast, nickel plated

Special hinge



- Glass door hinge without stay closed function for inset doors
- Opening angle 105°
- Easy to install by clamping screw, no need to drill holes
- Including premounted anti-slip strip
- The clamping screw on the push handle can be used for a magnetic stay closed function
- Door format:
 - Height = inside carcase height - 6 mm
 - Width = inside carcase width - 5.6 mm
- Zinc die-cast, matt nickel plated

Fast assembly concealed hinge with integrated Silent System



Sensys 110° standard hinge
 ▶ Sensys 8645i / 8645 / 8675
 ▶ Opening angle 110°



Sensys 95° thick door hinge
 ▶ Sensys 8631i / 8631 / 8661
 ▶ For narrow reveals between thick doors



Sensys 110° thin door hinge
 ▶ Sensys 8646i / 8646 / 8676
 ▶ For thin doors



Sensys 165° zero protrusion hinge
 ▶ Sensys 8657i / 8657 / 8687
 ▶ For unobstructed access to storage space



Sensys W30 angle hinge
 ▶ Sensys 8639i W30 / 8639 W30 / 8669 W30
 ▶ For 30° face angle applications



Sensys W45 angle hinge
 ▶ Sensys 8639i W45 / 8639 W45 / 8669 W45
 ▶ For 30° face angle applications



Sensys W90 angle hinge
 ▶ Sensys 8639i W90 / 8639 W90 / 8669 W90
 ▶ For 90° face angle applications



Sensys aluminium frame hinge
 ▶ Sensys 8638i / 8638 / 8668
 ▶ For aluminium framed doors



Intermat folding door hinge
 ▶ Intermat 9930
 ▶ For folding doors



Adapter for glue mounting



Mounting plates
 ▶ System 8000 / 8099
 ▶ For Sensys and Intermat hinges



Accessories
 ▶ For Sensys

Sliding door system / top running



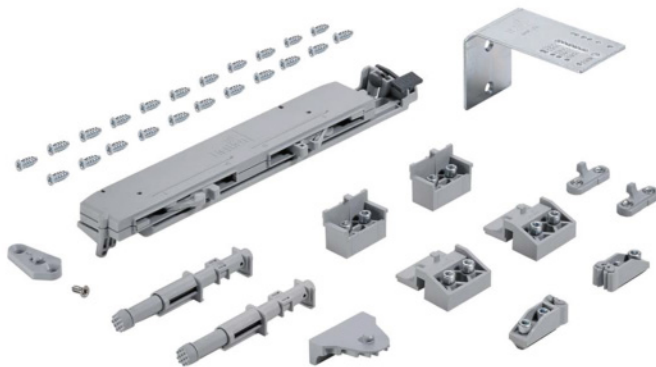
Front most door set

- Running components with integrated height adjustment
- Fast installation guide components
- Door offset infinitely adjustable between 0 and 50 mm
- Set contains running and guide components for one front most door
- Can only be used in combination with Silent System set for 1- / 2- / 3- / 4-door applications



Rear most door set

- Running components with integrated height adjustment
- Fast installation guide components
- Door offset infinitely adjustable between 0 and 50 mm
- Set contains running and guide components for one rear most door
- Can only be used in combination with Silent System set for 1- / 2- / 3- / 4-door applications



Silent System set, 1-door

- Quietly and gently closing and opening sliding doors
- Low opening force for easy door movement
- Easy installation: all in one soft opening and closing for tool-less fast installation
- Set contains all the components required for a 1-door application



Profile set, reinforced

- Runner profile, guide profile and cover profile in one pack
- Reinforced runner profile for greater design flexibility
- Screwless runner and guide profile attachment for clip on installation
- Runner profile: for clipping into the screw slot provided in the profile
- Guide profile: slide in the profile as far as the plinth, push clips up - done
- Aluminium, silver anodized (cover profile: grey plastic)

Other flap fittings



- For wooden fronts or framed wooden fronts
- Fitted with 1 or 2 gas springs
- Items with 2 gas springs: adjustable cross member permits adjustment of the width
- Two-dimensional front panel adjustment: vertically ± 3 mm, horizontally ± 3 mm
- Steel, powder coated

Drawer runners for wooden drawers



- Silent System - the integrated Silent System closes the drawer quietly and gently
- Convenient slide on installation with catches and tool-less height adjustment
- Load capacity to EN 15338, Level 3
- Galvanised steel, suitable for rooms exposed to moisture

Catch for wooden drawers with grooved bottom panel (Quadro 25)



- For securely connecting the Quadro runner and wooden drawer without the need for tools
- Infinitely variable height adjustment up to + 2 mm at knurled wheel
- Plastic, black

Abrasives



We specialize in all kinds of abrasives for the following industries:

Woodworking/ Metalworking/ Glass/ Automotive & Marine/ Paints & Lacquers Wide Belts/ Narrow Belts / Rolls/ Sheets/ Discs/ Cutting Wheels/ Grinding Wheels/ Flap Wheels

Complete range of high quality Safety Items

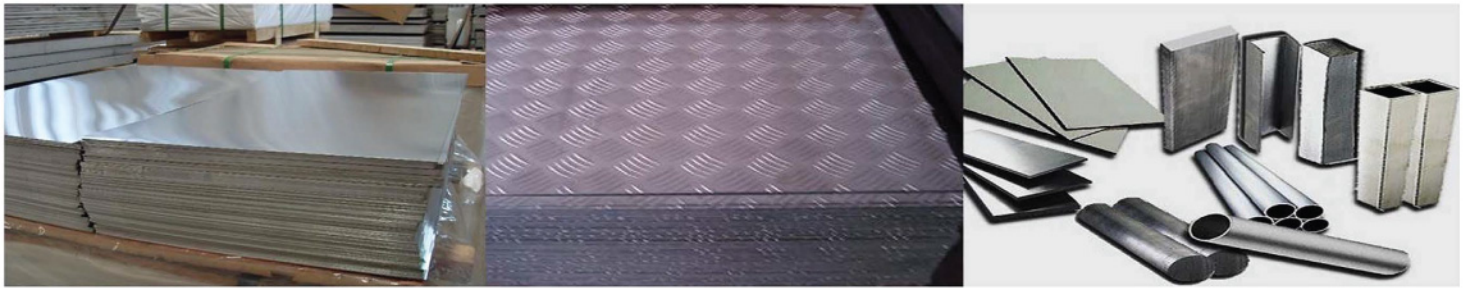


Castor Wheel

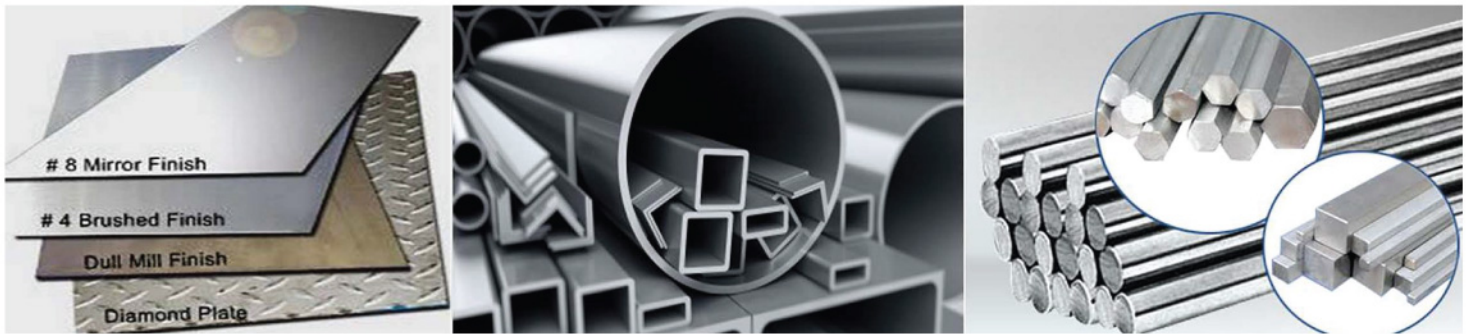


- Pneumatic Castors
- Rubber Castors
- Nylon Castors
- Swivel/ Fixed Plate
- Heavy Duty/ Light Duty
in Various Sizes From Germany,
India And China

Aluminium Sheets & Bars



Stainless Steel Sheets & Bars



Authorized
Dealer for

Suppliers of



22, Al Jaziri Building, Naif Deira - P.O.Box 183781 - Dubai - UAE
Tel: +9714 2732352 Fax: +9714 2732354 Email: sales@libertyhw.com

www.libertyhw.com